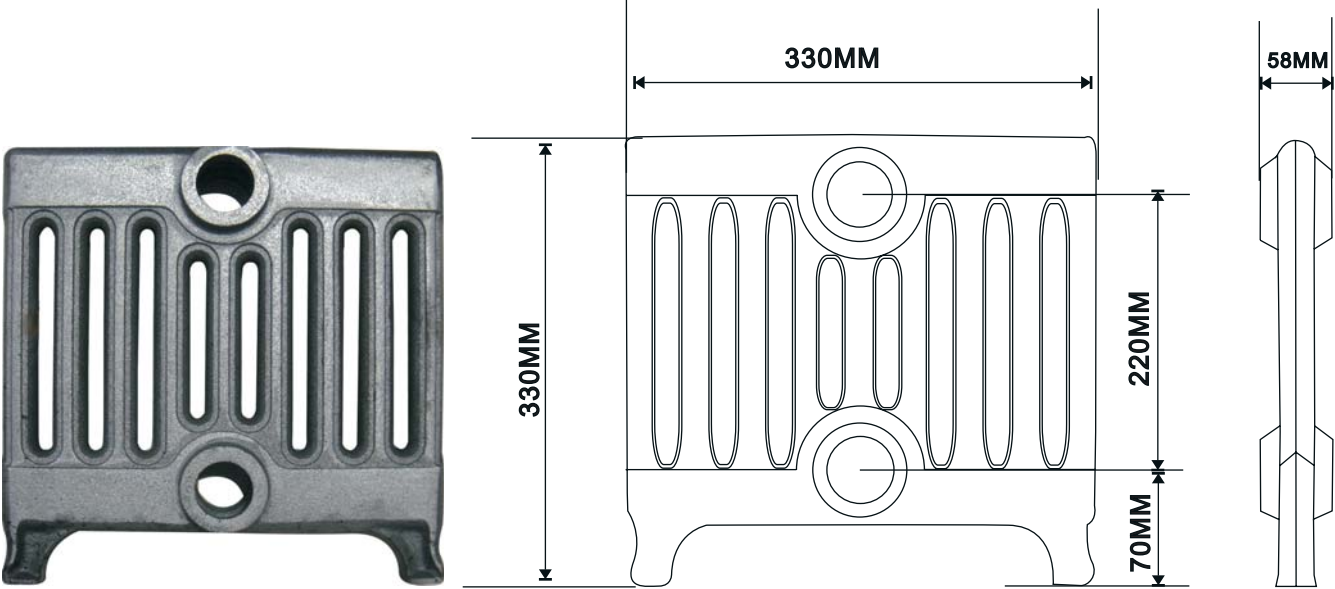


# Cast Iron Radiator

## BGL-350



Specification	Weight	Delta 50	Delta 60
sections	kgs	watts	watts
3	22.5	300	405
4	30	400	540
5	37.5	500	675
6	45	600	810
7	52.5	700	945
8	60	800	1080
9	67.5	900	1215
10	75	1000	1350
11	82.5	1100	1485
12	90	1200	1620
13	97.5	1300	1755
14	105	1400	1890
15	112.5	1500	2025