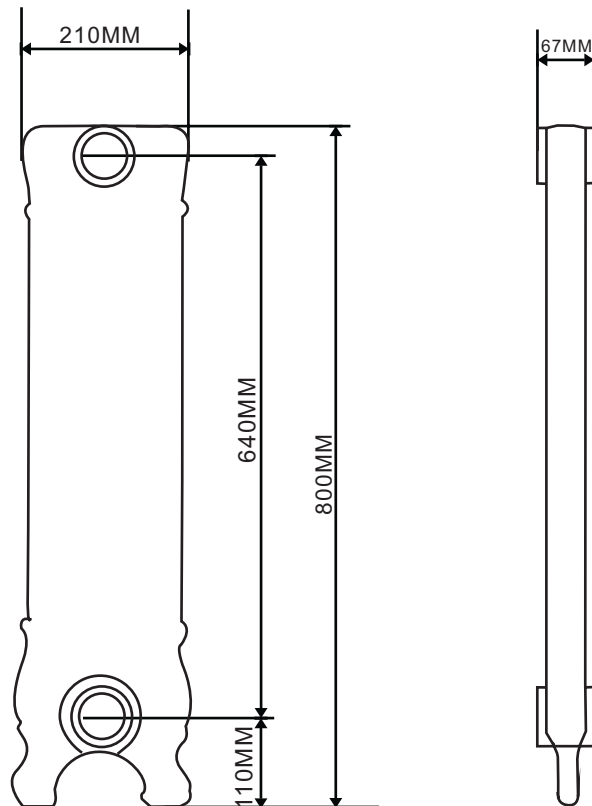


# Cast Iron Radiator

## BGL-800



Specification	Weight	Delta 50	Delta 60
sections	kgs	watts	watts
3	48	360	450
4	64	480	600
5	80	600	750
6	96	720	900
7	112	840	1050
8	128	960	1200
9	144	1080	1350
10	160	1200	1500
11	176	1320	1650
12	192	1440	1800
13	208	1560	1950
14	224	1680	2100
15	240	1800	2250