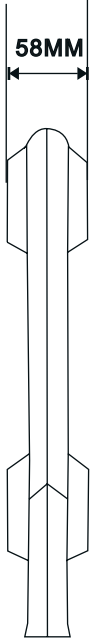
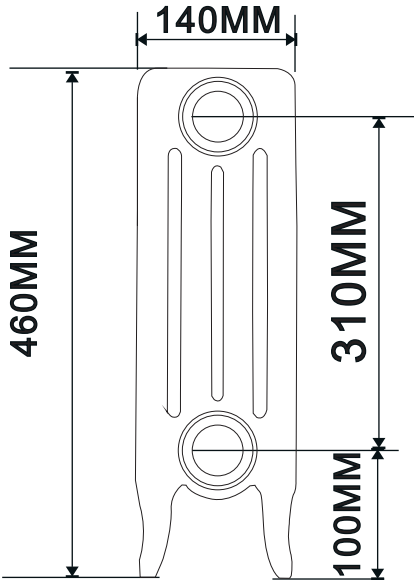


# Cast Iron Radiator

## RD 460



Specification	Weight	Delta 50	Delta 60
sections	kgs	watts	watts
3	10.5	165	210
4	13.8	220	280
5	17.1	275	350
6	20.4	330	420
7	23.7	385	490
8	27	440	560
9	30.3	495	630
10	33.6	550	700
11	36.9	605	770
12	40.2	660	840
13	43.5	715	910
14	46.8	770	980
15	50.4	825	1050